



Replace old DSL equipment

- Upgrade the old wireless equipment you received from your DSL provider
- Share your broadband Internet connection simply and securely
- Wirelessly surf the Internet, email and chat
- Freedom to switch DSL providers without changing equipment
- Easy setup with Smart Wizard installation CD

Features

- Wireless-G Router with integrated ADSL2+ modem
- Replaces existing equipment provided by DSL Internet service providers, such as Verizon, AT&T, Qwest[®], EarthLink[®], etc.
- Integrated 4-port switch for up to 4 wired connections
- Double firewall and wireless encryption protects your network and data
- VPN pass-through enables secure access to corporate networks
- Supports Windows[®] Vista[®]

Which is the Best NETGEAR Product for You?	Wireless-G	RangeMax™	RangeMax™ Wireless-N
Speed ¹	1x	10x	15x
Coverage ²	1x	10x	10x
Surfing the Internet	✓	✓	✓
Email and online chat	✓	✓	✓
Public hotspot compatible	✓	✓	✓
Streaming music	✓	✓	✓
Multiple PCs wirelessly connecting to the Internet	✓	✓	✓
Internet phone calls (VoIP)		✓	✓
Heavy Internet usage		✓	✓
Larger homes and multiple rooms		✓	✓
Multimedia/video streaming		✓	✓
Multilayer gaming		✓	✓
Simultaneous downloads, voice, music, VoIP streaming			✓
Networked entertainment and streaming HD video			✓
Networked or shared storage/ large file sharing			✓

Use NETGEAR DG834G with Wireless-G Adapters for Maximum performance



Wireless-G Laptop Card (WG511)



Wireless-G PCI Adapter (WG311)



Wireless-G USB 2.0 Adapter (WG111)



1-888-NETGEAR (638-4327)
Email: info@NETGEAR.com

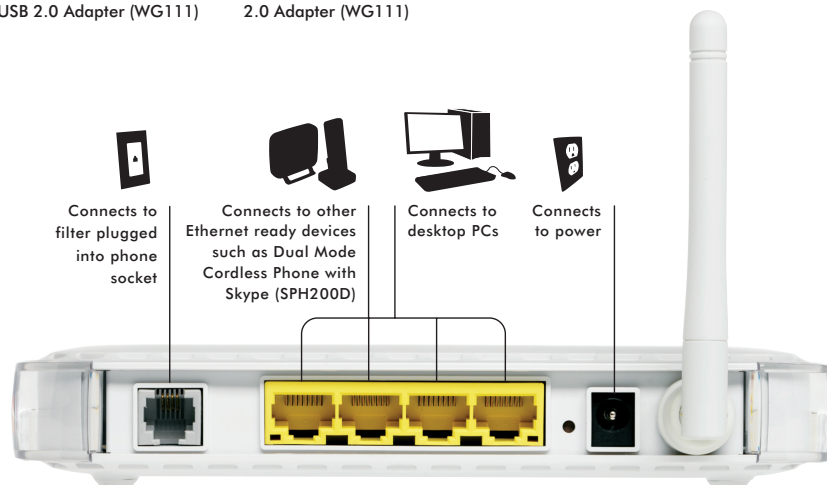




Laptop PCs connect with Wireless-G Laptop Card (WG511) or Wireless-G USB 2.0 Adapter (WG111)



Desktop PCs connect with Wireless-G PCI Card (WG311) or Wireless-G USB 2.0 Adapter (WG111)



System Requirements

- ADSL Internet service
- 2.4 GHz wireless adapter or Ethernet adapter and cable for each computer
- Microsoft Windows Vista, XP, 2000, Me, 98 SP2 or other operating systems running a TCP/IP network
- Microsoft® Internet Explorer 5.0 or higher

Routing Protocols

- Static and dynamic routing with TCP/IP, VPN pass-through (IPsec, L2TP, PPTP), RIP, PPPoE, PPPoA, DNS, DHCP (client & server), RFC 1483 static IP, classic IP, WMM-QoS, WMM-PS and WDS

Physical Interfaces

- LAN Ports: Four 10/100 Mbps auto-sensing, Auto Uplink™ RJ-45 ports (one Cat 5 UTP cable included)
- WAN Port: ADSL RJ-11, T1.413, G.DMT, G.Lite, ADSL 2+, ITU Annex A
- Wireless: 802.11g access point auto rate capable up to 54 Mbps

Security

- Firewall: Stateful packet inspection (SPI), intrusion logging and reporting, denial-of-service (DoS) protection
- VPN functionality: Supports up to five (5) IPsec VPN endpoints. VPN Wizard to assist in VPN setup. VPN pass-through for IPsec, PPTP and L2TP VPN
- Mode of operation: Network Address Translation (NAT), static routing
- IP address assignment: Static IP address assignment, internal DHCP server on LAN, DHCP client on WAN
- Wireless: WPA2-PSK, WPA-PSK, WEP, WPA-802.1x, WPA2-802.1x

Functions

- UPnP™ remote management, port range forwarding, exposed host (DMZ), DNS proxy, URL content filtering, email alerts, save/restore configuration, diagnostics, upgrades via Web

Power Adapter

- 12V DC, 1A; plug is localized to country of sale

Physical Specifications

- Dimensions: 175.3 x 27.94 x 119.4 mm (6.9 x 1.1 x 4.7 in)
- Weight: 0.3 kg (0.7 lb)

Environmental Specifications

- Operating temperature: 0° to 40° C (32° to 104° F)
- Operating humidity: 90% maximum relative humidity, non-condensing

Warranty

- North America: NETGEAR 1-year Warranty
- Rest of world: NETGEAR 2-year Warranty

Package Contents

- Wireless-G Router with Built-in DSL Modem
- Power adapter
- Ethernet cable
- Phone cable
- ADSL phone line filter (most countries)
- Vertical stand
- Setup CD
- Warranty/support information card

†Maximum wireless signal rate derived from IEEE standard 802.11 specifications. Actual data throughput will vary. Network conditions and environmental factors, including volume of network traffic, building materials and construction, and network overhead, lower actual data throughput rate. NETGEAR makes no express or implied representations or warranties about this product's compatibility with any future standards, including 802.11n.



NETGEAR®

4500 Great America Parkway
Santa Clara, CA 95054 USA
1-888-NETGEAR (638-4327)
E-mail: info@NETGEAR.com
www.NETGEAR.com

© 2008 NETGEAR, Inc. All rights reserved. NETGEAR, the NETGEAR Logo, NETGEAR Digital Entertainer Logo, Connect with Innovation, FrontView, IntelliFi, PowerShift, ProSafe, RAIDar, RAIDiator, RangeMax, ReadyNAS, and Smart Wizard are trademarks and/or registered trademarks of NETGEAR, Inc., in the United States and/or other countries. Other brand names mentioned herein are for identification purposes only and may be trademarks of their respective holder(s).

*Free basic installation support provided for 90 days from date of purchase. Advanced product features and configurations are not included in free basic installation support; optional premium support available.

**Actual performance may vary due to operating conditions

D-DG834G-2